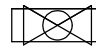
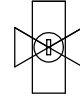



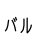
1. The information and data contained in this drawing is for reference only. It is not intended for use as a basis for design or construction. The user of this drawing is advised to consult the manufacturer for the latest information and data. 2. Any and all intellectual property rights in this drawing are reserved by DIAMOND ENGINEERING CO., LTD. 3. The design and use of this drawing is not to be reproduced, stored in a retrieval system, or transmitted in any form or by any means, electronic, mechanical, photocopying, recording, or by any information storage and retrieval system, without the prior written permission of DIAMOND ENGINEERING CO., LTD. 4. This drawing is the property of DIAMOND ENGINEERING CO., LTD. and is to be used only for the purpose intended. 5. The user of this drawing is advised to consult the manufacturer for the latest information and data.

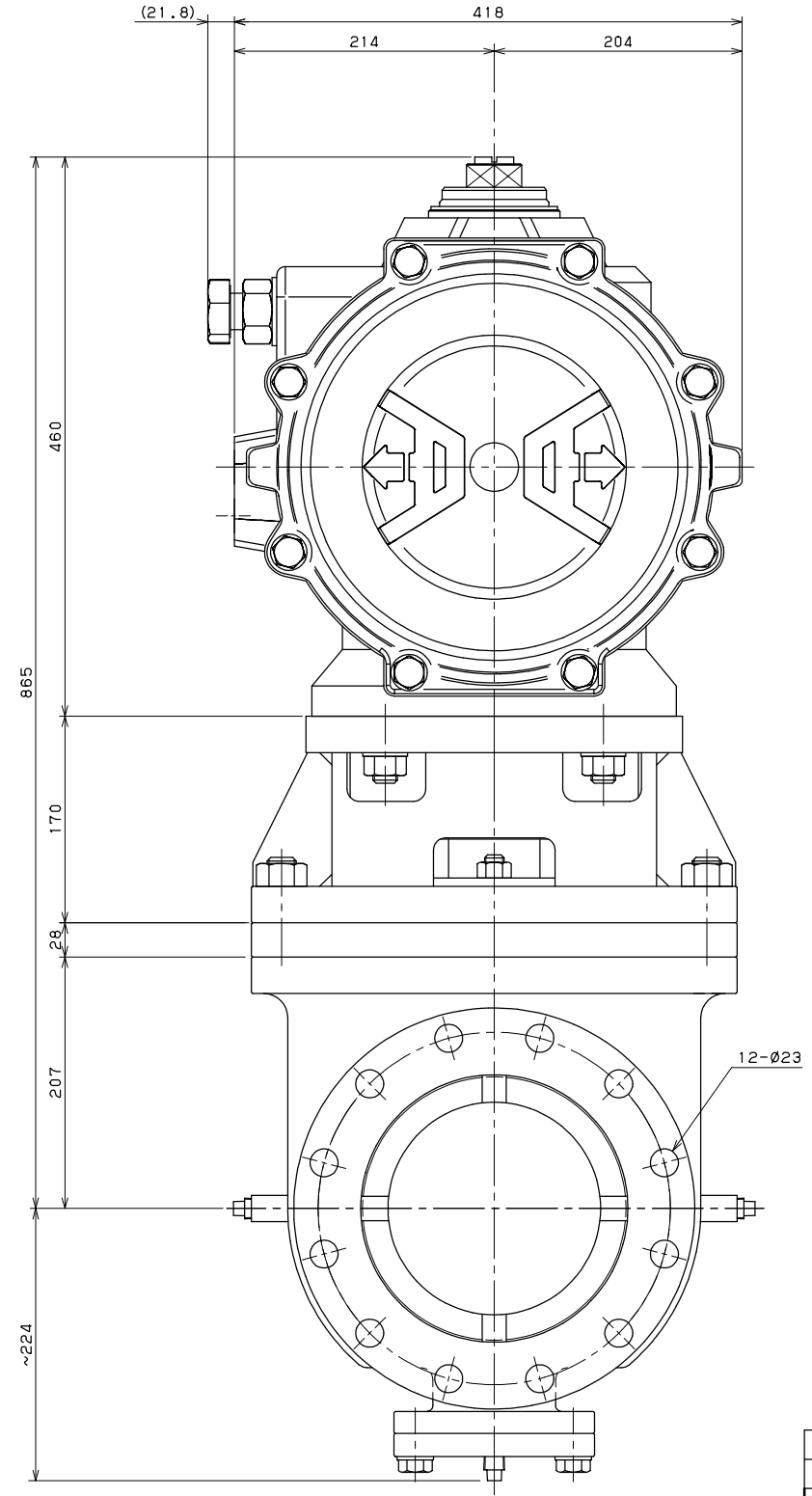
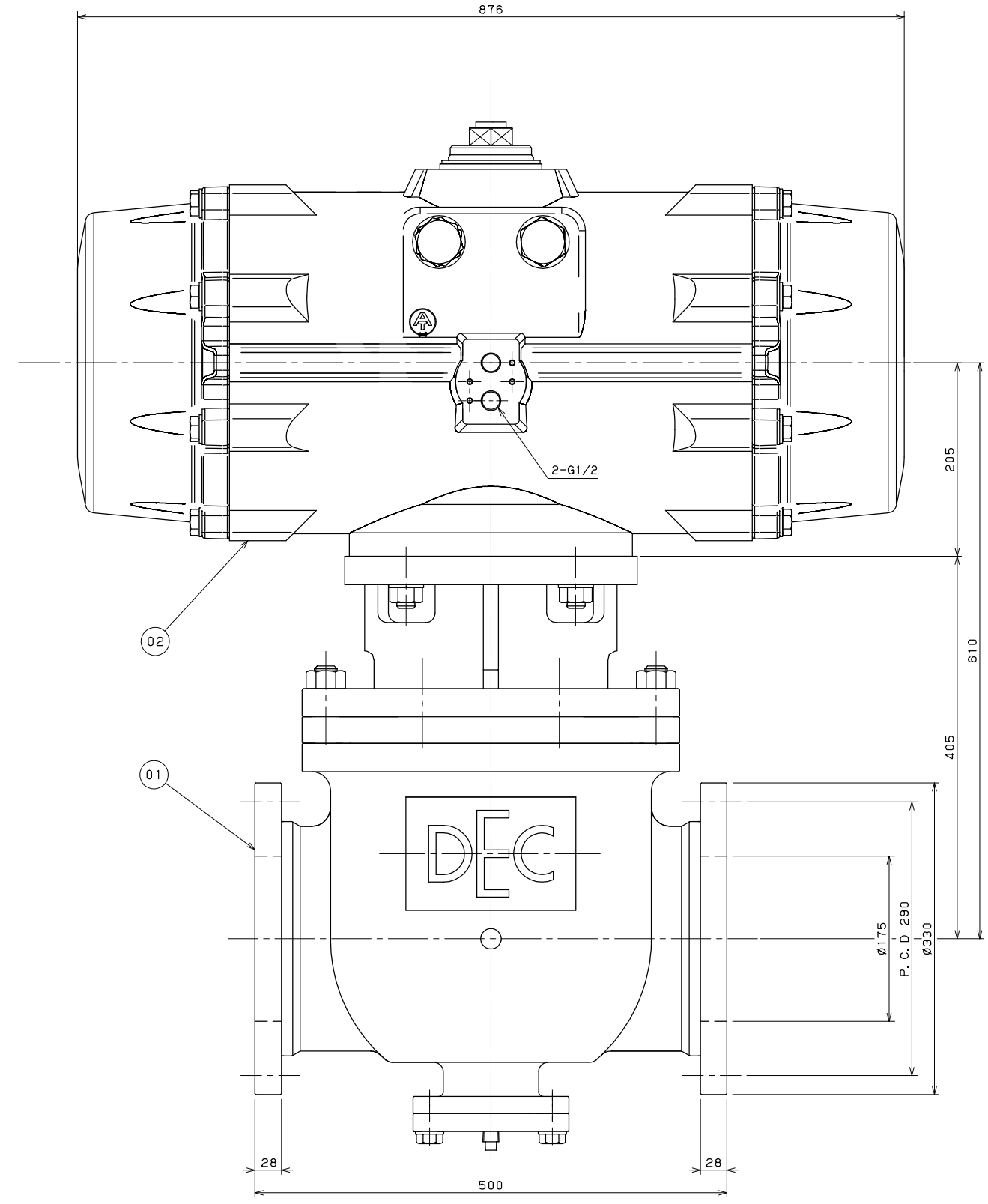
200A 自動ボール弁 仕様	
流体	粉体、スラリー、液体、ガス
最高使用圧力	0.97 MPa
最高使用温度	80 °C
Tag No.	***
	計 **台

NOTE

付属品：リミットスイッチ  
電磁弁  
サイレンサー  
スイッチ保護カバー

駆動部取付姿勢： TYPE1.  TYPE2. 

無通電時： バルブ開.  バルブ閉. 



重量 382kg

02	ACTUATOR	READY MADE	1			
01	BODY	SCPH2	1			
ITEM	DESCRIPTION	MAT'L	Q'TY	PER ONE WT (kg)	TOTAL WT (kg)	REMARK
FOR						
TITLE						DATE
200A JIS10K BALL VALVE OUT LINE DRAWING						---
DRAWN						---
DESIGN'D						---
CHECK'D						---
APP'D						---
SCALE 1/3				PROJECTION	JOB. NO.	
DIAMOND ENGINEERING CO., LTD. TOYAMA JAPAN				DWG. NO.	DEC H-VALVE 200-00	
REV				---		

参考図

NO.	REVISION	DATE	BY	CHK'	DAPP'D